



## Polarization Maintaining Fiber Pigtail (PMFP Series)

### Description

The PM Fiber Pigtail is the basic building block for PM fiber optic components. The Fiber Pigtail is characterized with fine polishing surface, accurate polishing angle and high extinction ratio. The unique processing and high quality AR coating enable the fiber pigtail to handle high power with minimum loss.

### Key Features

- Fine Polishing Surface
- Accurate Polishing Angle
- High Extinction Ratio

### Applications

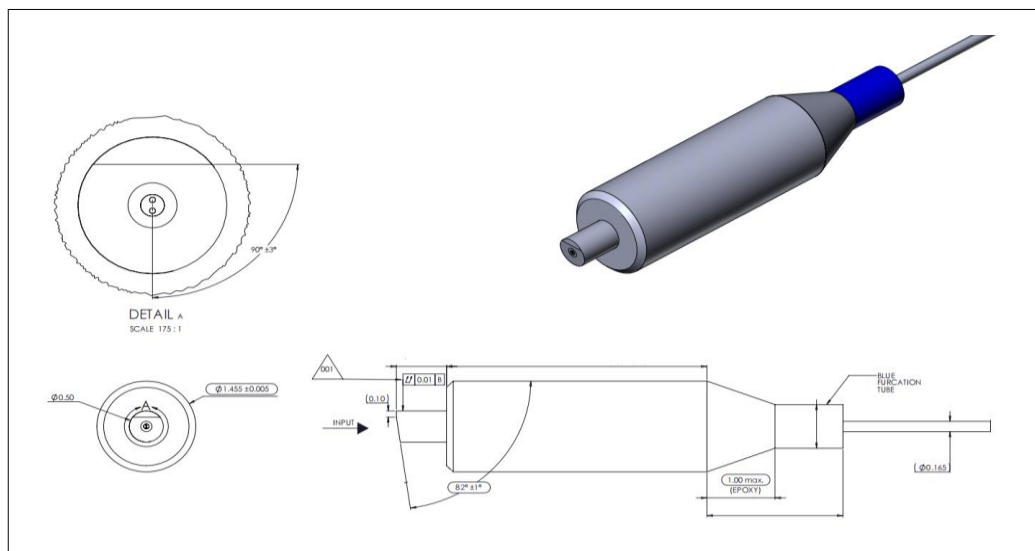
- PM Components

### Specifications

Parameter	Unit	Value
Type	-	Single Fiber
Center Wavelength	nm	1550, 1310 or Specify
Capillary Diameter <sup>1</sup>	mm	0.5 Typically
Diameter Tolerance	mm	± 0.005
Capillary Length	mm	TBD
Polishing Angle	degree	8°
Fiber Orientation	-	Refer to Diagram
Fiber Type Combination	-	PM Fiber & PM Fiber, PM Fiber & SMF-28
Typ. Extinction Ratio	dB	23
Min. Extinction Ratio	dB	20
Scratch/Dig	-	10/5
AR-Coating	-	R < 0.25% @ Specified Wavelength Range

<sup>1</sup>Diameter tolerance of 1.0 mm pigtail is ± 0.02 mm.

### Fiber Orientation



## Ordering Information

**PMFP-①-②-③-④-⑤-⑥-⑦-⑧-⑨**

①: Fiber Pigtail Type	②: AR-Coating	③: Ferrule Diameter	④: Ferrule Protrusion	⑤: Metal Tube Diameter
1 - Single Fiber	9806 - 980/1060 nm	0.5 - 0.5 mm	1 - 4.70 mm	0.5 - 0.5 mm
	3155 - 1310/1550 nm	S - Specify	2 - 5.10 mm	S - Specify
	0000 - No AR-Coating		S - Specify	
	SSSS - Specify			

⑥: Metal Tube Length	⑦: Polishing Angle	⑧: PM Fiber Type	⑨: Fiber Length
3 - 3 mm	8 - 8°	1 - Fiber PM-98-025-B	1 - 1.0 m
S - Specify	S - Specify	2 - Fiber PM-31-025-B	S - Specify
		3 - Fiber PM-55-025-B	
		4 - Fiber PM-31-040-B	
		5 - Fiber PM-55-040-B	
		S	